

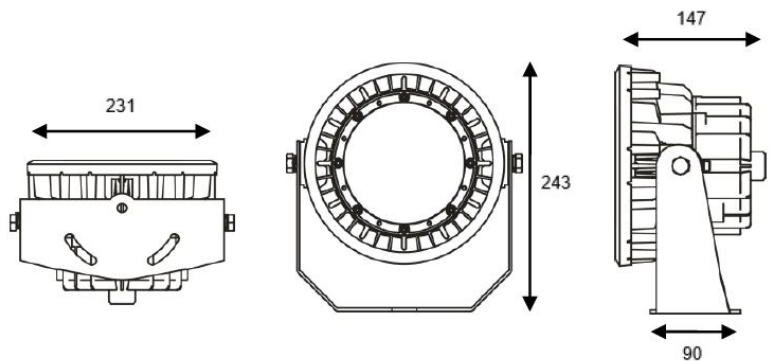
NewNight® LED Function Spotlight FS2

Building and Facade Lighting



TECHNICAL DESCRIPTION

- LED High Power Spotlight
- Lifetime L80 B10: 60.000 - 100.000 h
- Highest efficiency of all system components
- With mounting bracket made of stainless steel (V2A)
- High-performance heat sink made of aluminum
- Different light distributions 15° | 28° | 45° | 120°
- Optical cover made of Polycarbonate (UV-resistant)



LED Function Spotlight FS2	Eco (on/off) AstroDIM DALI		RGBW
Power consumption	50-124 watts (factory setting: 80 watts)	55 watts	50 watts
Power control	Adjustable via potentiometer	/	See delivery status ¹
Light color	3000 K 4000 K 5000 K	1800 K ² 2200 K 2700 K	RGBW warmwhite (3000 K) coolwhite (6000 K)
Luminous flux	8500 lm 8900 lm 8900 lm	4208 lm 4442 lm 5252 lm	
Color Rendering Index (CRI RA) CCT Dominant Wavelength (min./max.)	80	(70) ² 80	red: 620 nm / 630 nm green: 520 nm / 535 nm blue: 460 nm / 470 nm ww/cw: 1080 lm
LED control gear incl. surge protection	4kV	4kV	See delivery status ¹
Permissible operating voltage	90-305V AC		See delivery status ¹
Permissible ambient temperature	-40°C up to 50°C		
Degree of Protection Protection class	IP65 Protection class 1		
Mounting bracket	Hole distance 65-110 mm (2x M8)		
Housing made of aluminium	color: black surface: anodized		
Main dimensions + Weight	231 x 243 x 147 mm, ca. 3,3 kg		

¹Delivery status: Without LED control gear or LED multi-channel control gear

²Light colour 1800 K corresponds to RA70

BRAUN Lighting Solutions e. K. is a participant in the export initiative "Energie Effizienz – made in Germany", initiated by the Federal Ministry for the Economy and Technology. Due to the complexity of the many possible combinations of drivers and LED modules, the values shown for technical LED parameters, including performance parameters, are typical. Actual values of specific products in specific configurations may vary from these typical values. The information and diagrams contained in this document do not constitute an offer or contractual obligation. Product parameters may change as a result of technical innovation and will be undertaken without prior notice. Our manufacturing conforms to DIN EN and VDE regulations; the product conforms to European EMC regulations.