

LED Single Spot Beam 6°

Spotlighting of objects and facades

Technical Description:

- 13 watt LED spotlight
- High light output
- Various color temperatures
- UV-resistant high-performance PMMA lens
- Aluminum lamp body
- Color/surface: black, anodized
- The LED spotlight is attached to a magnetic ball joint and can be rotated without tools
360° rotatable and 180° tiltable
- Mounting type: internal thread metric M5
- Ready-to-connect and easy-to-install LED spotlight
- Highest efficiency of all system components



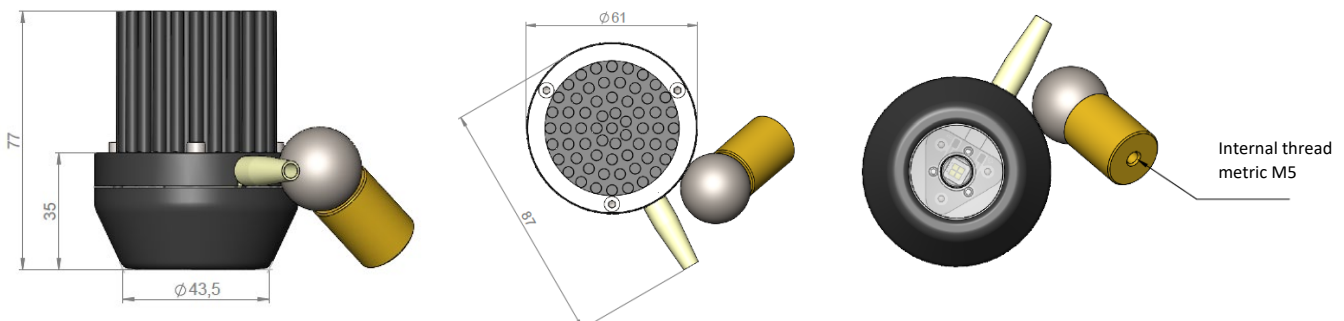
Technical Data:

- LED room: IP64 protection degree
- Radiation pattern: Spot 6°
- color temperature: 2700K | 3000K | 3500K | 4000K | 5000K | 5700K
- Light color: warmwhite, neutralwhite, coolwhite
- color rendering index / CRI: typically 80
- Input: constant current: max. 800mA
- Voltage (DC): 12V
- Power consumption in watts: 13 watts at 800mA
- Luminous flux in lumens: 914lm at 800mA
- Lifetime (h) L70: 50.000
- Permissible operating temperature: -50°C to 50°C
- Weight: approx. 320g
- Connecting cable assembled with wire end ferrules: Length: 1.0 meter

Optional:

The Spot Beam 6° is available as **RGBW** variant.

We will be happy to advise you on the possible technical properties.



BRAUN Lighting Solutions e. K. is a participant in the export initiative "Energie Effizienz – made in Germany", initiated by the Federal Ministry for the Economy and Technology. Due to the complexity of the many possible combinations of drivers and LED modules, the values shown for technical LED parameters, including performance parameters, are typical. Actual values of specific products in specific configurations may vary from these typical values. The information and diagrams contained in this document do not constitute an offer or contractual obligation. Product parameters may change as a result of technical innovation and will be undertaken without prior notice. Our manufacturing conforms to DIN EN and VDE regulations; the product conforms to European EMC regulations. CE.

BRAUN Lighting Solutions e.K.
Nunsdorfer Ring 2-10
12277 Berlin
Germany

www.braun.lighting
info@braun-lighting.com
+49 (0)30 700 77 63-100
+49 (0)30 700 77 63-101

