

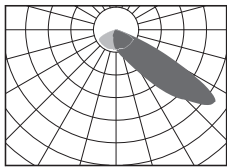
NewNight® BigTAB Pole Mount High-Intensity Lamp M1

BRAUN LIGHTING SOLUTIONS / Industrial Application

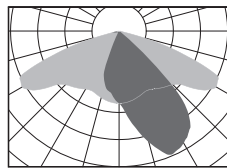


Technical Description

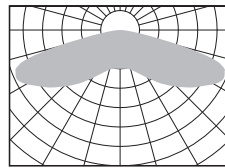
- Optimized for the illumination of large areas
- UV-resistant high-performance lenses made of PMMA
- Integrated innovative ThermoProtect System
- Insensitive to vibrations
- Ready to use, "Plug and Play" module
- Adjustable angle of attack +90° | -10°
- Surge protection
- Ambient temperature -30°C to +60°C
- Optional: Adjustable LED power
- Optional: Daylight-dependent control
- Optional: Presence control



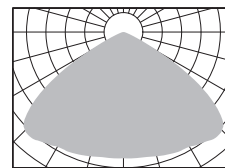
LS12 ME 640*



LS12 ME 618*



LS12 ME 600*



LS12 ME 601*



LS12 ME 624*

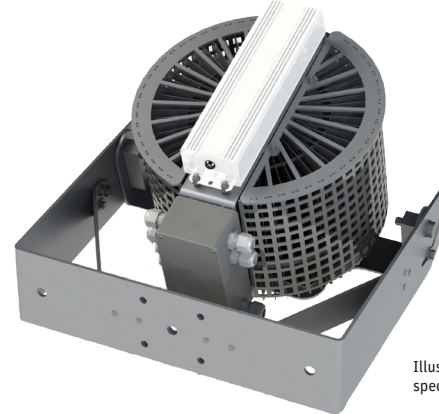
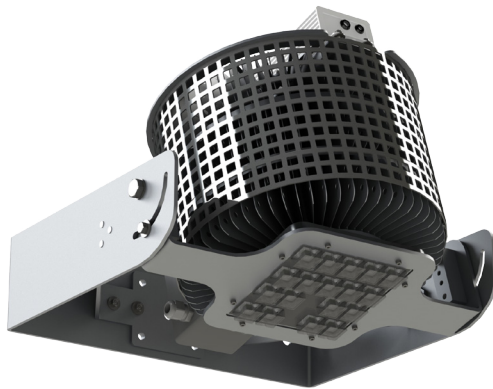


Illustration with special equipment

BigTAB LED-Module	ON/OFF	Basic	Light	DALI	Full
Module output* / Lumen (4000K)	150W / 14 klm	150W / 14 klm	150W / 14 klm	150W / 14 klm	150W / 14 klm
Possibility(s) of regulating the performance					
Adjustable output(s) in Watt approx. (optional)		25 - 150W	25 - 150W	25 - 150W	25 - 150W
Possible via 10-step coding switch		•	•		•
ThermoProtect System	•	•	•	•	•
Dimming function					
Half-night switching via control voltage 230V					
Dimming is manual via 10-step coding switch			•		•
Several dimming levels programmable, astronomical dimming	•	•	•	•	•
0-10 V / 1-10 V Interface	•				•
DALI				•	
PWM	•	•	•	•	•
LDR Switching input					•
Special functions					
Constant light function (counteracts the loss of light)	•	•	•	•	•
Light color typical *other color temperatures on request					
4000K neutralwhite	•	•	•	•	•
5000K coldwhite	•	•	•	•	•

*Other lens solutions and mast accessories on request.

To comply with the data sheet specifications is the temperature at the Tc-point observed by <75°C. The module does not require any glass covering.

Braun Lighting Solutions e. K. is a participant in the export initiative "Energie Effizienz – made in Germany", initiated by the Federal Ministry for the Economy and Technology.

*Due to the complexity of the many possible combinations of drivers and LED modules, the values shown for technical LED parameters, including performance parameters, are typical. Actual values of specific products in specific configurations may vary from these typical values. The information and diagrams contained in this document do not constitute an offer or contractual obligation. Product parameters may change as a result of technical innovation and will be undertaken without prior notice. Our manufacturing conforms to DIN EN and VDE regulations; the product conforms to European EMC regulations.