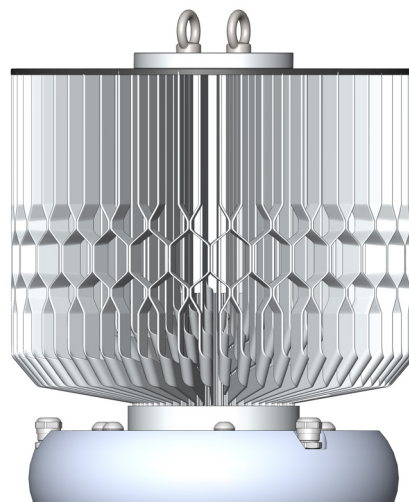
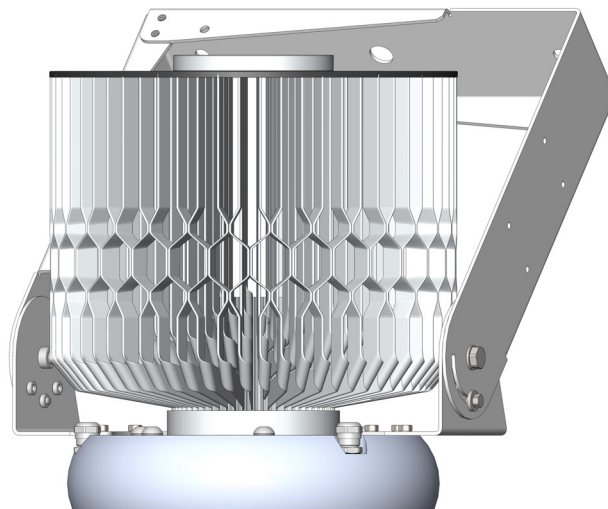
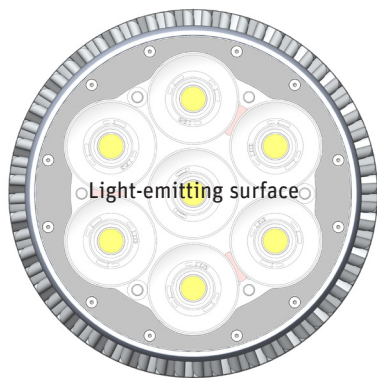


MASS-LEDlight Saturn7

Hangar • APRON • ARENA • Large Areas • Industrial- and Building Lighting



Technical Description

Power consumption:	560 Watt
Luminous flux:	85000lm at 5000K
Light colour:	3000K 4000K 5000K
Switching function:	Eco (on/off) Basic E1 Light E2 DALI
LED-control gear:	IP67 - ENEC TÜV CE DALI 0-10 1-10V (Dim-to-Off)
Permissible operating voltage:	100-240VAC, 50/60Hz
Permissible ambient temperature:	-40°C up to 50°C
Degree of protection Protection class	IP64 Protection class I
Housing:	aluminium, anodized
Optical cover:	safety glass
Mounting bracket V01.1 stainless steel:	Setting range 90° (45°v/h), hole distance: 320mm (2x Ø12mm cable hole Ø20mm)
Mounting bracket V01.2 stainless steel:	Setting range 45°, hole distance: 320mm (2x Ø12mm cable hole Ø20mm)
Fastening for chain suspension V02.1/V02.2:	V02.1: integrated LED-control gear / V02.2: external LED-control gear
Light-emitting surface:	Ø 255mm
High performance heat sink:	Ø 330mm
Total height:	370mm
Weight (V01.1/V01.2):	ca. 14,5kg
Weight (V02.1/V02.2):	ca. 11kg

BRAUN Lighting Solutions e. K. is a participant in the export initiative "Energie Effizienz – made in Germany", initiated by the Federal Ministry for the Economy and Technology. Due to the complexity of the many possible combinations of drivers and LED modules, the values shown for technical LED parameters, including performance parameters, are typical. Actual values of specific products in specific configurations may vary from these typical values. The information and diagrams contained in this document do not constitute an offer or contractual obligation. Product parameters may change as a result of technical innovation and will be undertaken without prior notice. Our manufacturing conforms to DIN EN and VDE regulations; the product conforms to European EMC regulations.