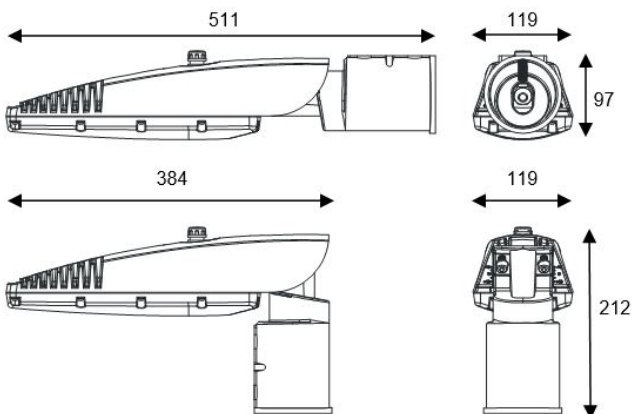


NewNight® DKstreet LED

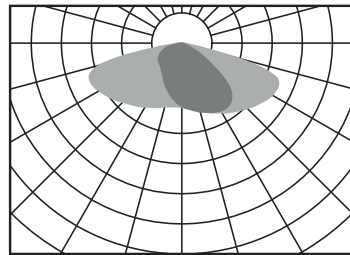
BRAUN Lighting Solutions Streets - Buildings - Residential Area Lighting



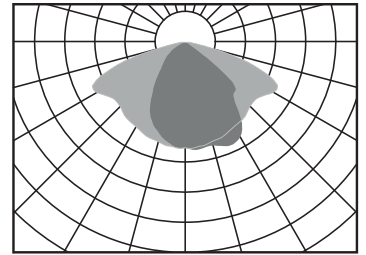
- Mini LED pole mount luminaire / pole top luminaire
- Ready for connection and easy to install
- Aluminium housing, powder-coated RAL7035
- Different light distributions possible
- Different mast mountings (adapters) possible
- Highest efficiency of all system components
- LED ROOM: IP67
- LED control gear: IP67
- Permissible operating voltage: 100-240VAC, 50/60Hz
- Overvoltage protection up to 4kv
- Optical cover: impact resistant, UV and weather resistant
- Insensitive to vibrations
- Lifetime L80B50 > 50.000h



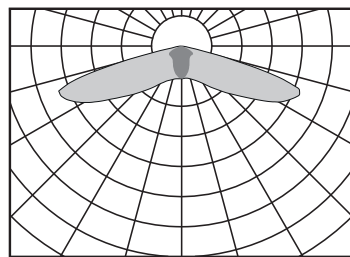
*all specifications in mm



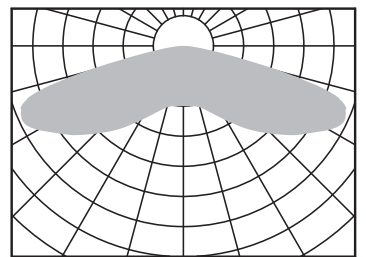
SA3 - Type III



SA3 - Type II



SA3 - Type I



SA3 - Type V

TECHNICAL SPECIFICATIONS

Luminous flux:	2900lm (4000K)
Nominal color temperature:	4000K 5000K
Light color:	neutralwhite coolwhite
Color rendering:	CRI > 70
Power consumption:	28 Watt
Switching function:	ON/OFF
Permissible operating voltage:	100-240VAC, 50/60Hz
Permissible ambient temperature:	-40°C to 50°C
Degree of protection Protection class:	IP67 SKI
Adapter 1* Adapter 2*:	Ø34mm, Ø42mm, Ø48mm Ø60mm, Ø76mm
Main dimensions + Weight (adapter 1* - mast attachment)	511x119x97mm, ca. 2,6kg
Main dimensions + Weight (adapter 1* - mast top)	384x119x212mm, ca. 2,6kg

*Adapter 1 and 2: Delivery includes fixing screws M10x30

BRAUN Lighting Solutions e. K. is a participant in the export initiative "Energie Effizienz – made in Germany", initiated by the Federal Ministry for the Economy and Technology. Due to the complexity of the many possible combinations of drivers and LED modules, the values shown for technical LED parameters, including performance parameters, are typical. Actual values of specific products in specific configurations may vary from these typical values. The information and diagrams contained in this document do not constitute an offer or contractual obligation. Product parameters may change as a result of technical innovation and will be undertaken without prior notice. Our manufacturing conforms to DIN EN and VDE regulations; the product conforms to European EMC regulations.