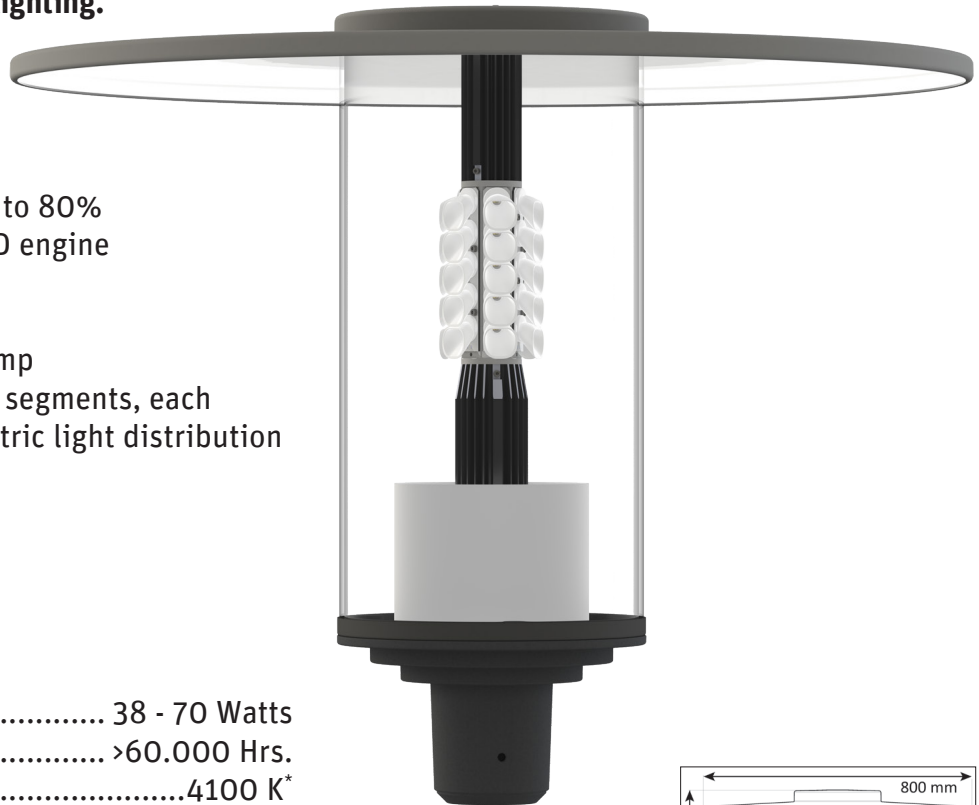


# BeeLED 800

LED Cylinder Lamp for streets, paths, squares, promenades, parks and gardens

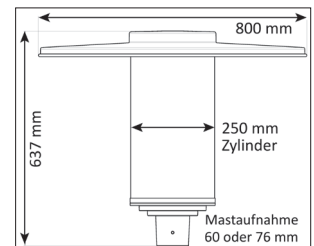
**The BeeLED800 from the NewNight® Series by BRAUN is the innovative solution for intelligent and modern lighting.**

- Energy savings of up to 80%
  - Maintenance-free LED engine
  - Proven technology
- Optional features:
- Dimming of entire lamp
  - Separate dimming of segments, each with its own asymmetric light distribution



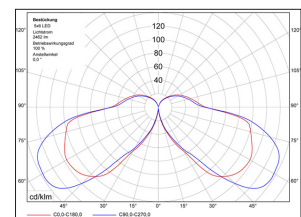
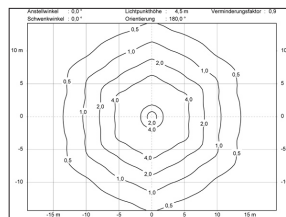
## TECHNICAL DATA

System power ..... 38 - 70 Watts  
 Expected life ..... >60.000 Hrs.  
 Color temperature ..... 4100 K\*  
 Luminous flux ..... 2.620 lm (32 Watts)  
 Color rendering ..... CRI > 85  
 IP protection class ..... IP 65  
 Operating range ..... - 40°C +55°C  
 Mast height ..... 4 - 6 m  
 Warranty ..... 5 Years  
 \*Various color temperatures can be selected



## Special reflectors for homogeneous illumination

The aimed light distribution of the BeeLED reflector system directs the light onto the sidewalk and/or the street, eliminating stray light - this lamp fulfills all DARK-SKY regulations.



Braun Lighting Solutions e. K. is a participant in the export initiative "Energie Effizienz – made in Germany", initiated by the Federal Ministry for the Economy and Technology. Due to the complexity of the many possible combinations of drivers and LED modules, the values shown for technical LED parameters, including performance parameters, are typical. Actual values of specific products in specific configurations may vary from these typical values. The information and diagrams contained in this document do not constitute an offer or contractual obligation. Product parameters may change as a result of technical innovation and will be undertaken without prior notice. Our manufacturing conforms to DIN EN and VDE regulations; the product conforms to European EMC regulations.