

MASS-LEDlight Saturn7

Hanger • APRON • ARENA • Large Area • Industrial- and Building Lighting



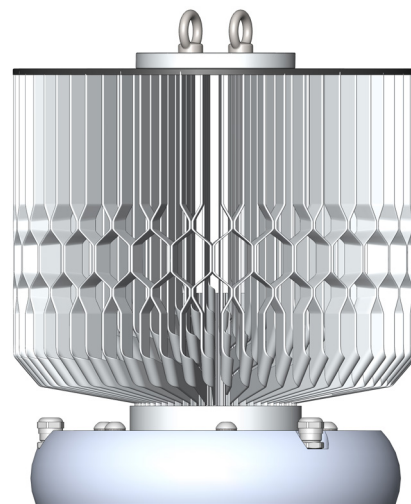
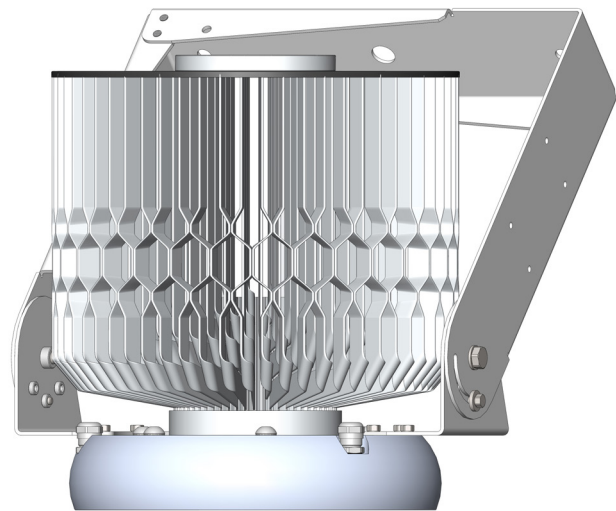
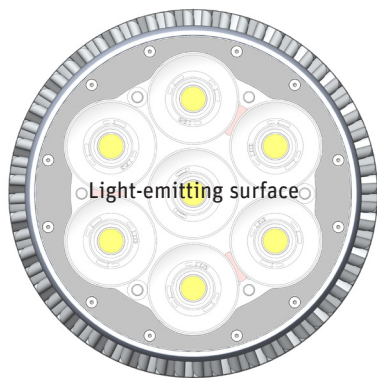
- Future PROOF> all components independently changeable
- Ready for connection and easy to install and maintain
- Easy integration into existing lighting towers
- Low weight and low wind load
- Large light-emitting and extremely powerful light output
- Highest efficiency of all system components - LongLIFE
- Different light distributions possible
- Optical cover made of safety glass
- Vibration-resistant
- ThermoProtect System against overtemperature of the LED
- Lifetime L80: 60.000 - 100.000 h
- Surge protection 10kA
- Optional: external control by radio

| BRAUN®MASS-LEDlight Saturn7 | Eco | Basic E1 | Light E2 | DALI |
|--|---------|----------|----------|---------|
| Power consumption | 560W | 60-560W | 60-560W | 60-560W |
| Luminous flux | 85k lm | 85k lm | 85k lm | 85k lm |
| System performance | 151lm/W | 151lm/W | 151lm/W | 151lm/W |
| Power control options Dimming | | | | |
| manually via 10-step coding switch | | • | • | |
| Phase controlled night-time light reducing (half-night switch, 230VAC) | | | • | |
| Dimming manually via 10-step coding switch | | | | |
| AstroDimm - programmable dimming levels (optional) | (•) | (•) | (•) | (•) |
| 0-10V 1-10V Interface Dim-to-Off | • | | | • |
| DALI Interface | | | | • |
| Light color | | | | |
| 3000K warmwhite | • | • | • | • |
| 4000K neutralwhite | • | • | • | • |
| 5000K coolwhite | • | • | • | • |
| Applications - Light distributions | | | | |
| Variant Saturn7 - 01: Light distribution symmetrical 88° | • | • | • | • |
| Variant Saturn7 - 02: Light distribution symmetrical 54° | • | • | • | • |
| Variant Saturn7 - 03: Light distribution symmetrical 42° | • | • | • | • |
| Variant Saturn7 - 04: Light distribution symmetrical 29° | • | • | • | • |

BRAUN Lighting Solutions e. K. is a participant in the export initiative "Energie Effizienz – made in Germany", initiated by the Federal Ministry for the Economy and Technology. Due to the complexity of the many possible combinations of drivers and LED modules, the values shown for technical LED parameters, including performance parameters, are typical. Actual values of specific products in specific configurations may vary from these typical values. The information and diagrams contained in this document do not constitute an offer or contractual obligation. Product parameters may change as a result of technical innovation and will be undertaken without prior notice. Our manufacturing conforms to DIN EN and VDE regulations; the product conforms to European EMC regulations.

MASS-LEDlight Saturn7

Hangar • APRON • ARENA • Large Areas • Industrial- and Building Lighting



Technical Description

| | |
|---|--|
| Power consumption: | 560 Watt |
| Luminous flux: | 85000lm at 5000K |
| Light colour: | 3000K 4000K 5000K |
| Switching function: | Eco (on/off) Basic E1 Light E2 DALI |
| LED-control gear: | IP67 - ENEC TÜV CE DALI 0-10 1-10V (Dim-to-Off) |
| Permissible operating voltage: | 100-240VAC, 50/60Hz |
| Permissible ambient temperature: | -40°C up to 50°C |
| Degree of protection Protection class | IP64 Protection class I |
| Housing: | aluminium, anodized |
| Optical cover: | safety glass |
| Mounting bracket V01.1 stainless steel: | Setting range 90° (45°v/h), hole distance: 320mm (2x Ø12mm cable hole Ø20mm) |
| Mounting bracket V01.2 stainless steel: | Setting range 45°, hole distance: 320mm (2x Ø12mm cable hole Ø20mm) |
| Fastening for chain suspension V02.1/V02.2: | V02.1: integrated LED-control gear / V02.2: external LED-control gear |
| Light-emitting surface: | Ø 255mm |
| High performance heat sink: | Ø 330mm |
| Total height: | 370mm |
| Weight (V01.1/V01.2): | ca. 14,5kg |
| Weight (V02.1/V02.2): | ca. 11kg |

BRAUN Lighting Solutions e. K. is a participant in the export initiative "Energie Effizienz – made in Germany", initiated by the Federal Ministry for the Economy and Technology. Due to the complexity of the many possible combinations of drivers and LED modules, the values shown for technical LED parameters, including performance parameters, are typical. Actual values of specific products in specific configurations may vary from these typical values. The information and diagrams contained in this document do not constitute an offer or contractual obligation. Product parameters may change as a result of technical innovation and will be undertaken without prior notice. Our manufacturing conforms to DIN EN and VDE regulations; the product conforms to European EMC regulations.