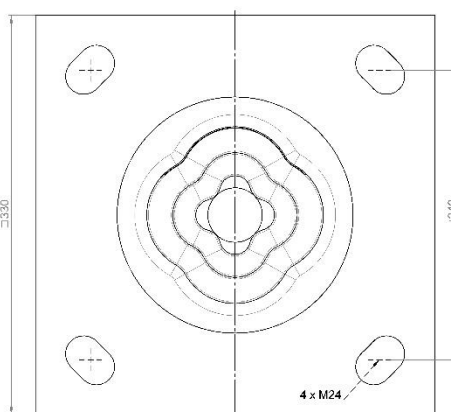
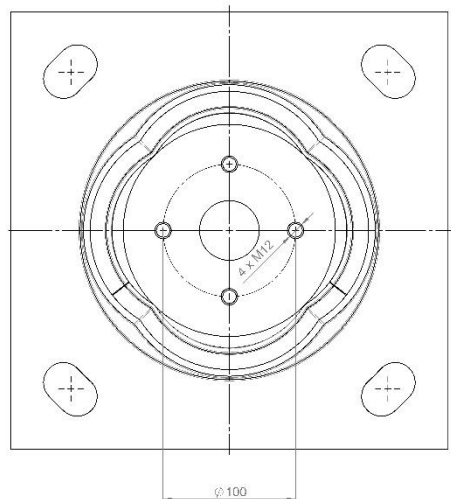
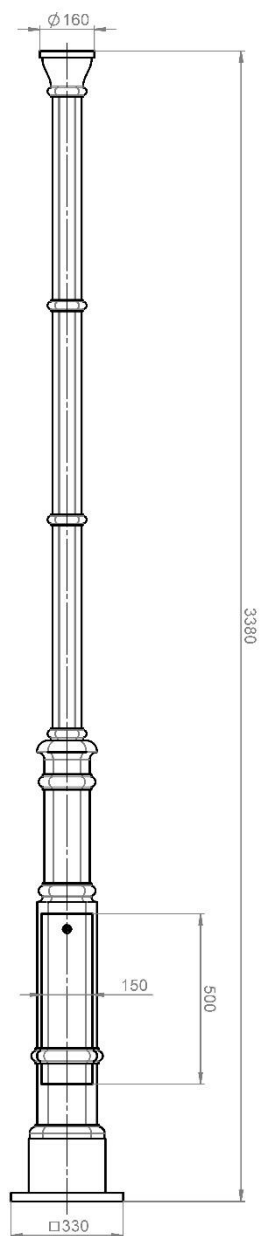
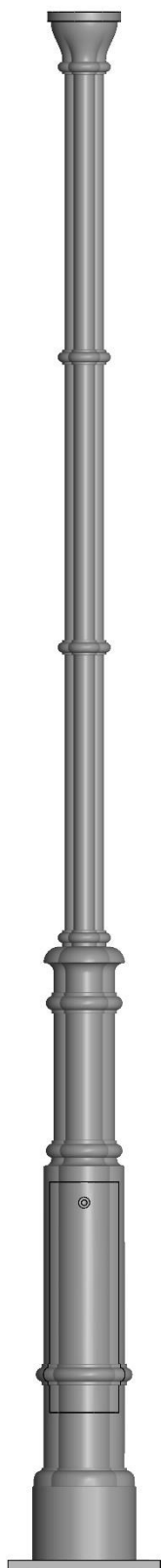


# Historical column Berlin

BRAUN LIGHTING SOLUTIONS | street lighting – area lighting



## Technical specifications

- Column head with acanthus leaf ornamentation
- Connection compartment with door lock
- Neo-gothic quarter pipe design
- Material: cast alloyed aluminium
- Height above ground: 3200mm
- Total height: 3400mm
- Height below ground: 185mm
- Bottomplate: 330mm x 330mm
- Door: 500mm x 150mm
- Weight: approx. 50kg

BRAUN® Lighting Solutions e. K. is a participant in the export initiative "Energie Effizienz – made in Germany", initiated by the Federal Ministry for the Economy and Technology. Due to the complexity of the many possible combinations of drivers and LED modules, the values shown for technical LED parameters, including performance parameters, are typical. Actual values of specific products in specific configurations may vary from these typical values. The information and diagrams contained in this document do not constitute an offer or contractual obligation. Product parameters may change as a result of technical innovation and will be undertaken without prior notice. Our manufacturing conforms to DIN EN and VDE regulations; the product conforms to European EMC regulations.

BRAUN® LIGHTING SOLUTIONS e.K.  
Nunsdorfer Ring 2-10  
12277 Berlin  
Germany

[www.braun-lighting.com](http://www.braun-lighting.com)  
[system@braun-lighting.com](mailto:system@braun-lighting.com)  
+49 (0)30 7 007 763 135  
+49 (0)30 7 007 763 101

