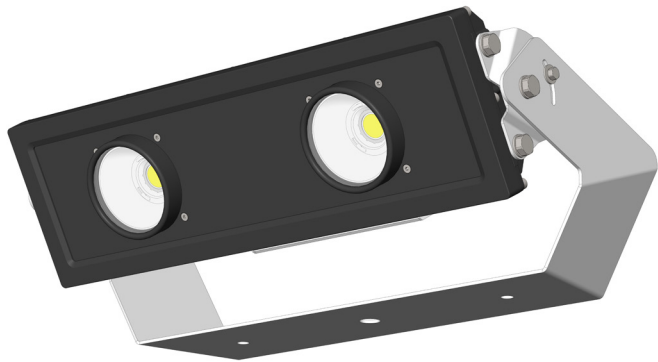


MASS-LEDlight OptimaLine2

Hanger • APRON • ARENA • Large Area • Industrial- and Building Lighting



Picture shows variant 29°- 88°



Picture shows variant flood light FU



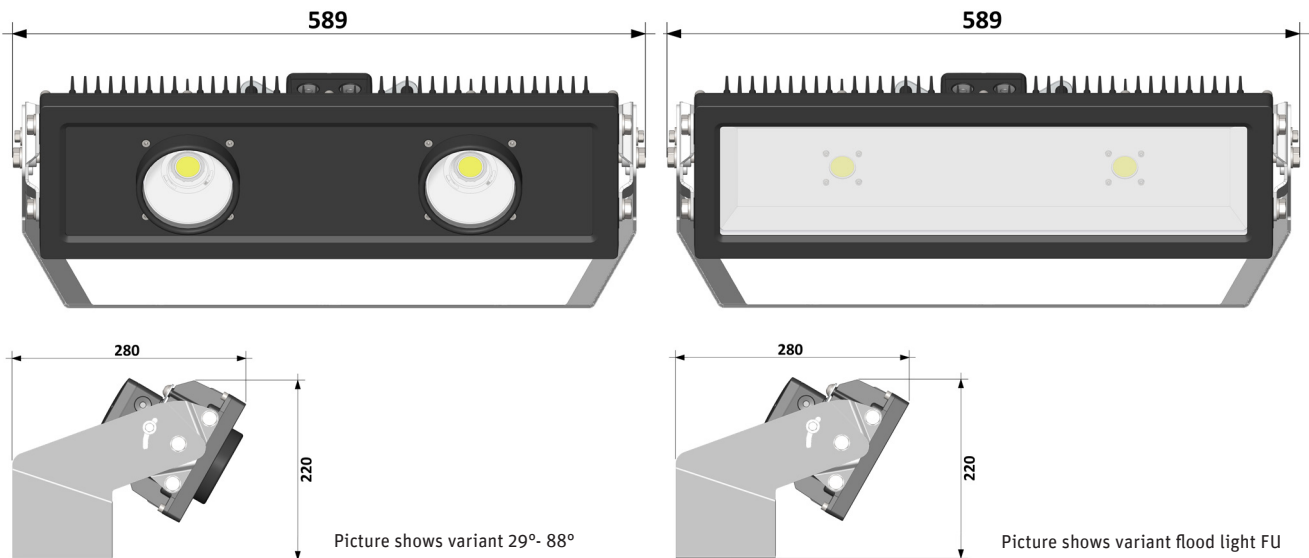
- Future PROOF> all components independently changeable
- Ready for connection and easy to install and maintain
- Easy integration into existing lighting towers
- Low weight and low wind load
- Large light-emitting and extremely powerful light output
- Highest efficiency of all system components - LongLIFE
- Different light distributions possible
- Optical cover made of safety glass IK08
- Vibration-resistant
- ThermoProtect System against overtemperature of the LED
- Lifetime L80: 60.000 - 100.000 h
- Surge protection 10kA
- Optional: external control by radio
- Optional: active performance cooling

BRAUN®MASS-LEDlight OptimaLine2	Eco	Basic E1	Light E2	DALI
Power consumption	160W	10-160W	10-160W	1-160W
Luminous flux	22000lm	22000lm	22000lm	22000lm
System performance	137lm/W	137lm/W	137lm/W	137lm/W
Power control options Dimming				
manually via 10-step coding switch		•	•	
Phase controlled night-time light reducing (half-night switch, 230VAC)			•	
Dimming manually via 10-step coding switch			•	
AstroDimm - programmable dimming levels (optional)	(•)	(•)	(•)	(•)
0-10V 1-10V Interface Dim-to-Off	•			•
DALI Interface				•
Light color				
3000K warmwhite	•	•	•	•
4000K neutralwhite	•	•	•	•
5000K coolwhite	•	•	•	•
Applications - Light distributions				
Variant OptimaLine O1: Light distribution symmetrical 88°	•	•	•	•
Variant OptimaLine O2: Light distribution symmetrical 54°	•	•	•	•
Variant OptimaLine O3: Light distribution symmetrical 42°	•	•	•	•
Variant OptimaLine O4: Light distribution symmetrical 29°	•	•	•	•
Variant OptimaLine O5: Light distribution flood light FU	•	•	•	•

BRAUN Lighting Solutions e. K. is a participant in the export initiative "Energie Effizienz – made in Germany", initiated by the Federal Ministry for the Economy and Technology. Due to the complexity of the many possible combinations of drivers and LED modules, the values shown for technical LED parameters, including performance parameters, are typical. Actual values of specific products in specific configurations may vary from these typical values. The information and diagrams contained in this document do not constitute an offer or contractual obligation. Product parameters may change as a result of technical innovation and will be undertaken without prior notice. Our manufacturing conforms to DIN EN and VDE regulations; the product conforms to European EMC regulations.

MASS-LEDlight OptimaLine2

Hanger • APRON • ARENA • Large Area • Industrial- and Building Lighting



Technical Descriptions

Power consumption:	160 Watt
Luminous flux:	22000lm at 5000K
Light colour:	3000K 4000K 5000K
Switching function:	Eco (on/off) Basic E1 Light E2 DALI
LED-control gear:	CE ENEC DALI 0-10 1-10V (Dim-to-Off)
Permissible operating voltage:	100-240VAC, 50/60Hz
Permissible ambient temperature:	-40°C up to 50°C
Degree of protection Protection class:	IP67 SKI
Housing:	die-cast aluminium, powder coated black
Optical cover:	safety glass, heat-treated
Impact resistance (IK rating):	IK08
Mounting bracket made of stainless steel:	Setting range 140°, hole distance: 320mm (2x Ø12mm cable hole Ø20mm)
Other types of fastening on request (for example chain suspension)	
Weight (variant 01-04):	ca. 10kg
Weight (variant 05):	ca. 9,7kg

BRAUN Lighting Solutions e. K. is a participant in the export initiative "Energie Effizienz – made in Germany", initiated by the Federal Ministry for the Economy and Technology. Due to the complexity of the many possible combinations of drivers and LED modules, the values shown for technical LED parameters, including performance parameters, are typical. Actual values of specific products in specific configurations may vary from these typical values. The information and diagrams contained in this document do not constitute an offer or contractual obligation. Product parameters may change as a result of technical innovation and will be undertaken without prior notice. Our manufacturing conforms to DIN EN and VDE regulations; the product conforms to European EMC regulations.