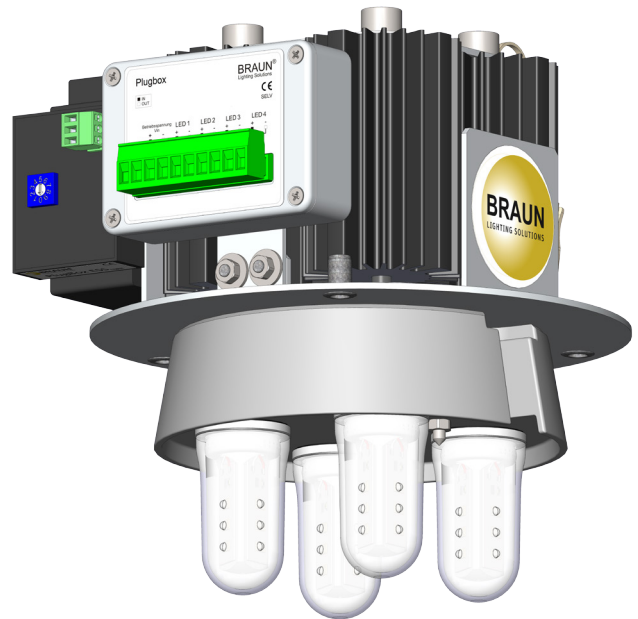




His.lux[®] Premium Modul

For use in decorative street lamps

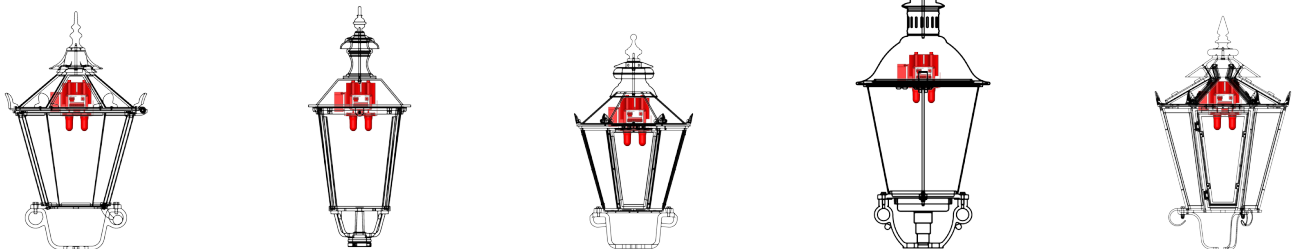


LED-Modul designed to replicate the special aesthetics of gas lighting

Technical Description

LED-Space IP65
 LED-Control Gear IP67 | ENEC
 Operating Voltage 100 -240VAC, 50/60Hz
 Protection Class I or II
 Ambient temperature -40°C up to 55°C
 Lifetime L80 60.000 - 100.000 h

His.lux [®] Premium Modul	ON/OFF	Basic E1	Light E2	MD D1
Module Power consumption	36 W	6-36 W	6-36 W	6-36 W
Luminous flux on 2700K	2225 lm	2225 lm	2225 lm	2225 lm
Power Control Dimming				
Manually via 10-step coding switch		•	•	•
Phase controlled night-time light reducing (half-night switch, 230VAC)			•	•
Dimming manually via 10-step coding switch				
0-10V 1-10V Interface	•			•
AstroDimm - programmable dimming levels (optional)	(•)			
DALI Interface (optional)	(•)			
Light color (s) - additional light colors on request				
1800K Amber	•	•	•	•
1800K AmberPLUS (PC)	•	•	•	•
2050K ULTRAwarmwhite	•	•	•	•
2437K SUPERwarmwhite	•	•	•	•
2700K warmwhite	•	•	•	•
3000K warmwhite	•	•	•	•
Applications - Light distributions - symmetrical or asymmetrical				
For residential and residential streets as well as district lighting	•	•	•	•
For pedestrian and bicycle paths as well as for green areas	•	•	•	•



Conversion Examples: BRAUN His.lux[®] LED module in different lights
 Easy to fit with compact dimensions!

BRAUN Lighting Solutions e. K. is a participant in the export initiative "Energie Effizienz – made in Germany", initiated by the Federal Ministry for the Economy and Technology. Due to the complexity of the many possible combinations of drivers and LED modules, the values shown for technical LED parameters, including performance parameters, are typical. Actual values of specific products in specific configurations may vary from these typical values. The information and diagrams contained in this document do not constitute an offer or contractual obligation. Product parameters may change as a result of technical innovation and will be undertaken without prior notice. Our manufacturing conforms to DIN EN and VDE regulations; the product conforms to European EMC regulations.

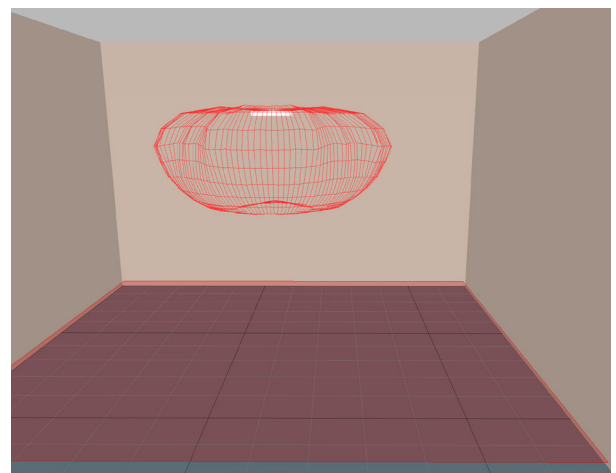
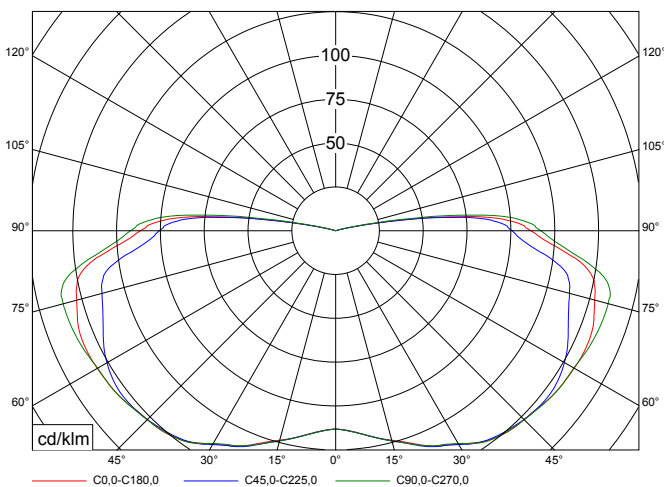
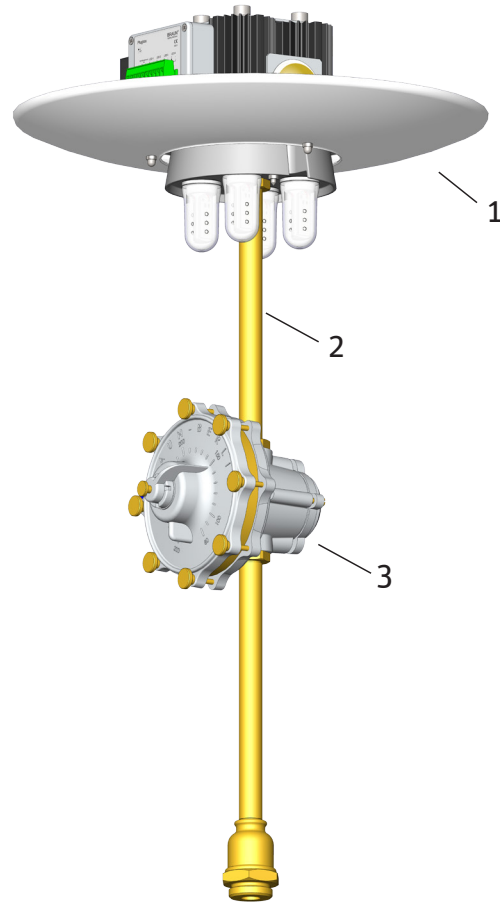
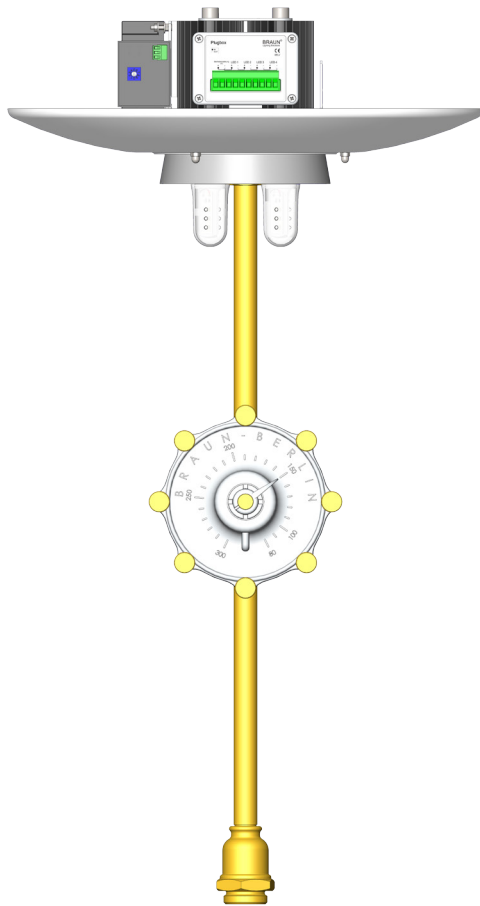
His.lux® Premium Modul

For use in decorative street lamps



Accessories for the monument-specific conversion

- 1 - reflector mounting position can be chosen (concave or convex)
- 2 - brass pipe
- 3 - pressure wave switch-housing (replica)



BRAUN Lighting Solutions e. K. is a participant in the export initiative "Energie Effizienz – made in Germany", initiated by the Federal Ministry for the Economy and Technology. Due to the complexity of the many possible combinations of drivers and LED modules, the values shown for technical LED parameters, including performance parameters, are typical. Actual values of specific products in specific configurations may vary from these typical values. The information and diagrams contained in this document do not constitute an offer or contractual obligation. Product parameters may change as a result of technical innovation and will be undertaken without prior notice. Our manufacturing conforms to DIN EN and VDE regulations; the product conforms to European EMC regulations.