

MASS-LEDlight Saturn7

Hanger • APRON • ARENA • Large Area • Industrial- and Building Lighting



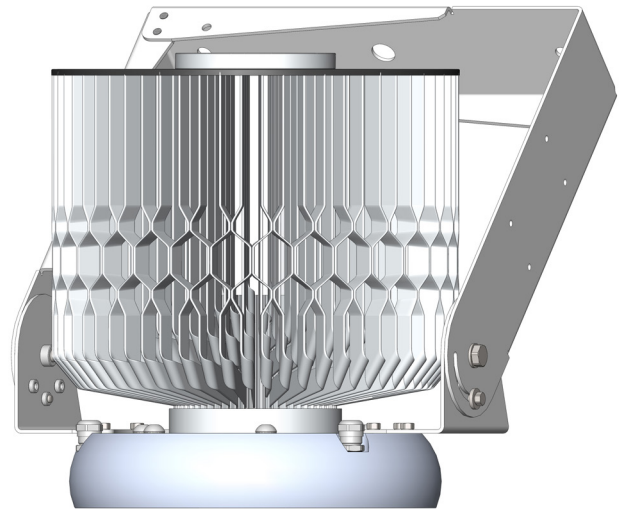
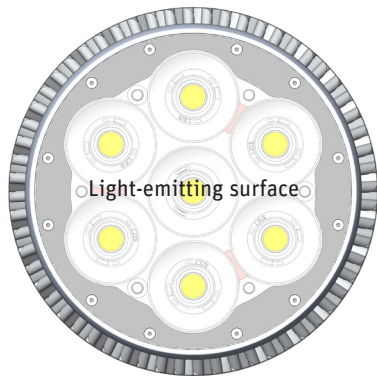
- Future PROOF> all components independently changeable
- Ready for connection and easy to install and maintain
- Easy integration into existing lighting towers
- Low weight and low wind load
- Large light-emitting and extremely powerful light output
- Highest efficiency of all system components - LongLIFE
- Different light distributions possible
- Optical cover made of safety glass
- Vibration-resistant
- ThermoProtect System against overtemperature of the LED
- Lifetime L80: 60.000 - 100.000 h
- Surge protection 10kA
- Optional: external control by radio

BRAUN®MASS-LEDlight Saturn7	Eco	Basic E1	Light E2	DALI
Power consumption	560W	60-560W	60-560W	60-560W
Luminous flux	85k lm	85k lm	85k lm	85k lm
System performance	151lm/W	151lm/W	151lm/W	151lm/W
Power control options Dimming				
manually via 10-step coding switch		•	•	
Phase controlled night-time light reducing (half-night switch, 230VAC)			•	
Dimming manually via 10-step coding switch				
AstroDimm - programmable dimming levels (optional)	(•)	(•)	(•)	(•)
0-10V 1-10V Interface Dim-to-Off	•			•
DALI Interface				•
Light color				
3000K warmwhite	•	•	•	•
4000K neutralwhite	•	•	•	•
5000K coolwhite	•	•	•	•
Applications - Light distributions				
Variant Saturn7 - 01: Light distribution symmetrical 88°	•	•	•	•
Variant Saturn7 - 02: Light distribution symmetrical 54°	•	•	•	•
Variant Saturn7 - 03: Light distribution symmetrical 42°	•	•	•	•
Variant Saturn7 - 04: Light distribution symmetrical 29°	•	•	•	•

BRAUN Lighting Solutions e. K. is a participant in the export initiative "Energie Effizienz – made in Germany", initiated by the Federal Ministry for the Economy and Technology. Due to the complexity of the many possible combinations of drivers and LED modules, the values shown for technical LED parameters, including performance parameters, are typical. Actual values of specific products in specific configurations may vary from these typical values. The information and diagrams contained in this document do not constitute an offer or contractual obligation. Product parameters may change as a result of technical innovation and will be undertaken without prior notice. Our manufacturing conforms to DIN EN and VDE regulations; the product conforms to European EMC regulations.

MASS-LEDlight Saturn7

Hangar • APRON • ARENA • Large Areas • Industrial- and Building Lighting



Technical Description

Power consumption:	560 Watt
Luminous flux:	85000lm at 5000K
Light colour:	3000K 4000K 5000K
Switching function:	Eco (on/off) Basic E1 Light E2 DALI
LED-control gear:	IP67 - ENEC TÜV CE DALI 0-10 1-10V (Dim-to-Off)
Permissible operating voltage:	100-240VAC, 50/60Hz
Permissible ambient temperature:	-40°C up to 50°C
Degree of protection Protection class	IP64 Protection class I
Housing:	aluminium, anodized
Optical cover:	safety glass
Mounting bracket V01.1 stainless steel:	Setting range 90° (45°v/h), hole distance: 320mm (2x Ø12mm cable hole Ø20mm)
Mounting bracket V01.2 stainless steel:	Setting range 45°, hole distance: 320mm (2x Ø12mm cable hole Ø20mm)
Fastening for chain suspension V02.1/V02.2:	V02.1: integrated LED-control gear / V02.2: external LED-control gear
Light-emitting surface:	Ø 255mm
High performance heat sink:	Ø 330mm
Total height:	370mm
Weight (V01.1/V01.2):	ca. 14,5kg
Weight (V02.1/V02.2):	ca. 11kg

BRAUN Lighting Solutions e. K. is a participant in the export initiative "Energie Effizienz – made in Germany", initiated by the Federal Ministry for the Economy and Technology. Due to the complexity of the many possible combinations of drivers and LED modules, the values shown for technical LED parameters, including performance parameters, are typical. Actual values of specific products in specific configurations may vary from these typical values. The information and diagrams contained in this document do not constitute an offer or contractual obligation. Product parameters may change as a result of technical innovation and will be undertaken without prior notice. Our manufacturing conforms to DIN EN and VDE regulations; the product conforms to European EMC regulations.