

MASS-LEDlight Saturn13

Hanger • APRON • ARENA • Large Area • Industrial- and Building Lighting



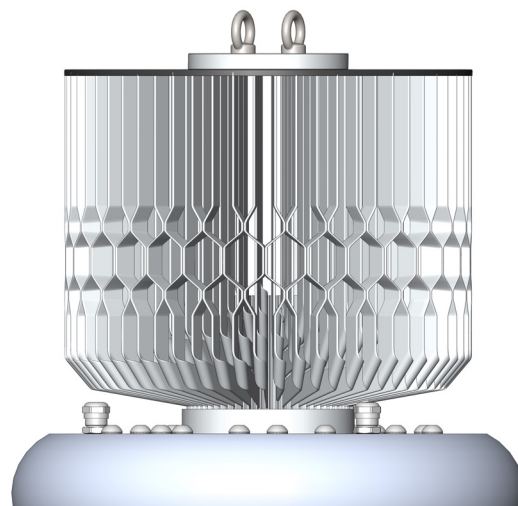
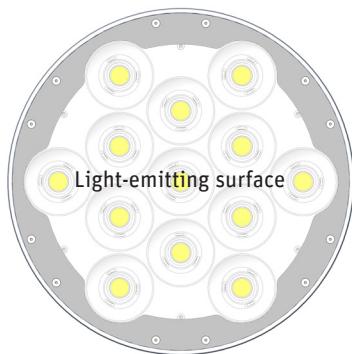
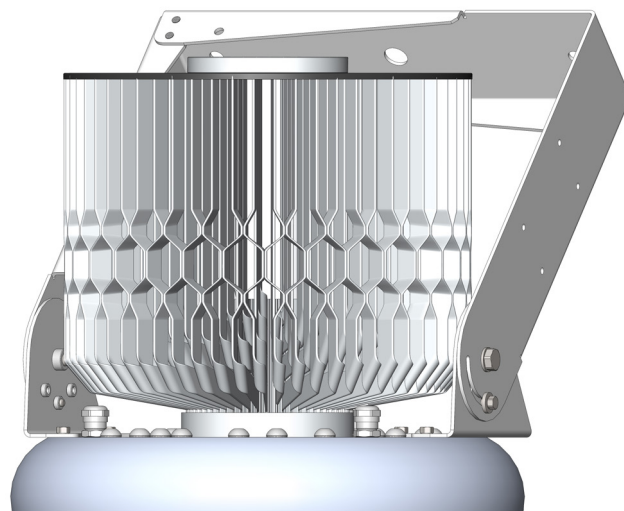
- Future PROOF> all components independently changeable
- Ready for connection and easy to install and maintain
- Easy integration into existing lighting towers
- Low weight and low wind load
- Large light-emitting and extremely powerful light output
- Highest efficiency of all system components - LongLIFE
- Different light distributions possible
- Optical cover made of safety glass
- Vibration-resistant
- ThermoProtect System against overtemperature of the LED
- Lifetime L80: 60.000 - 100.000 h
- Surge protection 10kA
- Optional: external control by radio

BRAUN®MASS-LEDlight Saturn13	Eco	Basic E1	Light E2	DALI
Power consumption	1040W	100-1040W	100-1040W	1-1040W
Luminous flux	158k lm	158k lm	158k lm	158k lm
System performance	151lm/W	151lm/W	151lm/W	151lm/W
Power control options Dimming				
manually via 10-step coding switch		•	•	
Phase controlled night-time light reducing (half-night switch, 230VAC)			•	
Dimming manually via 10-step coding switch				
AstroDimm - programmable dimming levels (optional)	(•)	(•)	(•)	(•)
0-10V 1-10V Interface Dim-to-Off	•			•
DALI Interface				•
Light color				
3000K warmwhite	•	•	•	•
4000K neutralwhite	•	•	•	•
5000K coolwhite	•	•	•	•
Applications - Light distributions				
Variant Saturn13 - 01: Light distribution symmetrical 88°	•	•	•	•
Variant Saturn13 - 02: Light distribution symmetrical 54°	•	•	•	•
Variant Saturn13 - 03: Light distribution symmetrical 42°	•	•	•	•
Variant Saturn13 - 04: Light distribution symmetrical 29°	•	•	•	•

BRAUN Lighting Solutions e. K. is a participant in the export initiative "Energie Effizienz – made in Germany", initiated by the Federal Ministry for the Economy and Technology. Due to the complexity of the many possible combinations of drivers and LED modules, the values shown for technical LED parameters, including performance parameters, are typical. Actual values of specific products in specific configurations may vary from these typical values. The information and diagrams contained in this document do not constitute an offer or contractual obligation. Product parameters may change as a result of technical innovation and will be undertaken without prior notice. Our manufacturing conforms to DIN EN and VDE regulations; the product conforms to European EMC regulations.

MASS-LEDlight Saturn13

Hangar • APRON • ARENA • Large Areas • Industrial- and Building Lighting



Technical Description

Power consumption:

Luminous flux:

Light colour:

Switching function:

LED-control gear:

Permissible operating voltage:

Permissible ambient temperature:

Degree of protection | Protection class

Housing:

Optical cover:

Mounting bracket V01.1 stainless steel:

Mounting bracket V01.2 stainless steel:

Fastening for chain suspension V02.1/V02.2:

Light-emitting surface:

High performance heat sink:

Total height:

Weight (V01.1/V01.2):

Weight (V02.1/V02.2):

1040 Watt

158000lm at 5000K

3000K | 4000K | 5000K

Eco (on/off) | Basic E1 | Light E2 | DALI

IP67 - ENEC | TÜV | CE | DALI | 0-10 | 1-10V (Dim-to-Off)

100-240VAC, 50/60Hz

-40°C up to 50°C

IP64 | Protection class I

aluminium, anodized

safety glass

Setting range 90° (45°v/h), hole distance: 320mm (2x Ø12mm | cable hole Ø20mm)

Setting range 45°, hole distance: 320mm (2x Ø12mm | cable hole Ø20mm)

V02.1: integrated LED-control gear / V02.2: external LED-control gear

Ø 379mm

Ø 330mm

370mm

ca. 21,5kg

ca. 17,5kg

BRAUN Lighting Solutions e. K. is a participant in the export initiative "Energie Effizienz – made in Germany", initiated by the Federal Ministry for the Economy and Technology. Due to the complexity of the many possible combinations of drivers and LED modules, the values shown for technical LED parameters, including performance parameters, are typical. Actual values of specific products in specific configurations may vary from these typical values. The information and diagrams contained in this document do not constitute an offer or contractual obligation. Product parameters may change as a result of technical innovation and will be undertaken without prior notice. Our manufacturing conforms to DIN EN and VDE regulations; the product conforms to European EMC regulations.