

NewNight® LED Function Spotlight FS1

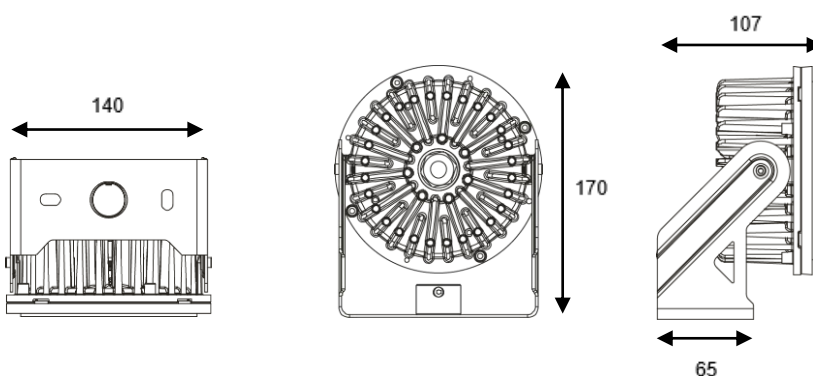
BRAUN LIGHTING SOLUTIONS Building Lighting – Facade Lighting

NEU



- LED High Power Spotlight
- High-performance heat sink made of aluminum
- Different light distributions 10° | 28° | 45° | 120°
- With mounting bracket¹ (suitable for pin fastening²)
- Highest efficiency of all system components - LongLIFE
- Optical cover made of Polycarbonate (UV-resistant)
- Lifetime L80B50 > 50.000 h

¹Hole distance: 80mm (2x M8)
²Pin: Ø20mm



Technical Description

Power consumption:	42 Watt
Luminous flux:	4400lm (3000K) 4600lm (4000K, 5000K)
Light color:	3000K 4000K 5000K
Color rendering (CRI):	typ. 85
Input:	Constant current max. 1050mA
Voltage (DC):	36VDC
Switching function (Standard):	on/off
Permissible operating voltage:	90-305VAC
Permissible ambient temperature:	-40°C up to 50°C
Degree of Protection Protection class:	IP67 Protection class 1
Mounting bracket made of aluminum:	Hole distance 80mm (2x M8)
Housing and mounting bracket:	color: black surface: anodized
Main dimensions + Weight:	140x107x170mm, ca. 1,5kg

BRAUN Lighting Solutions e. K. is a participant in the export initiative "Energie Effizienz – made in Germany", initiated by the Federal Ministry for the Economy and Technology. Due to the complexity of the many possible combinations of drivers and LED modules, the values shown for technical LED parameters, including performance parameters, are typical. Actual values of specific products in specific configurations may vary from these typical values. The information and diagrams contained in this document do not constitute an offer or contractual obligation. Product parameters may change as a result of technical innovation and will be undertaken without prior notice. Our manufacturing conforms to DIN EN and VDE regulations; the product conforms to European EMC regulations.

BRAUN® LIGHTING SOLUTIONS e.K.
Nunsdorfer Ring 2-10
12277 Berlin
Germany

www.braun-lighting.com
system@braun-lighting.com
+49 (0)30 7 007 763 135
+49 (0)30 7 007 763 101

 **BRAUN**®
LIGHTING SOLUTIONS